



# VoIP Paging Server

As a single SIP endpoint, the CyberData VoIP Paging Server enables users to create defined zones for paging speakers in a VoIP network.

The easy-to-use, web-based configuration provides a graphical user interface to set up to 100 paging zones with unique multicast address and port number combinations.

The device connects via a single cable to a standard PoE 802.3af compliant hub.

## Features

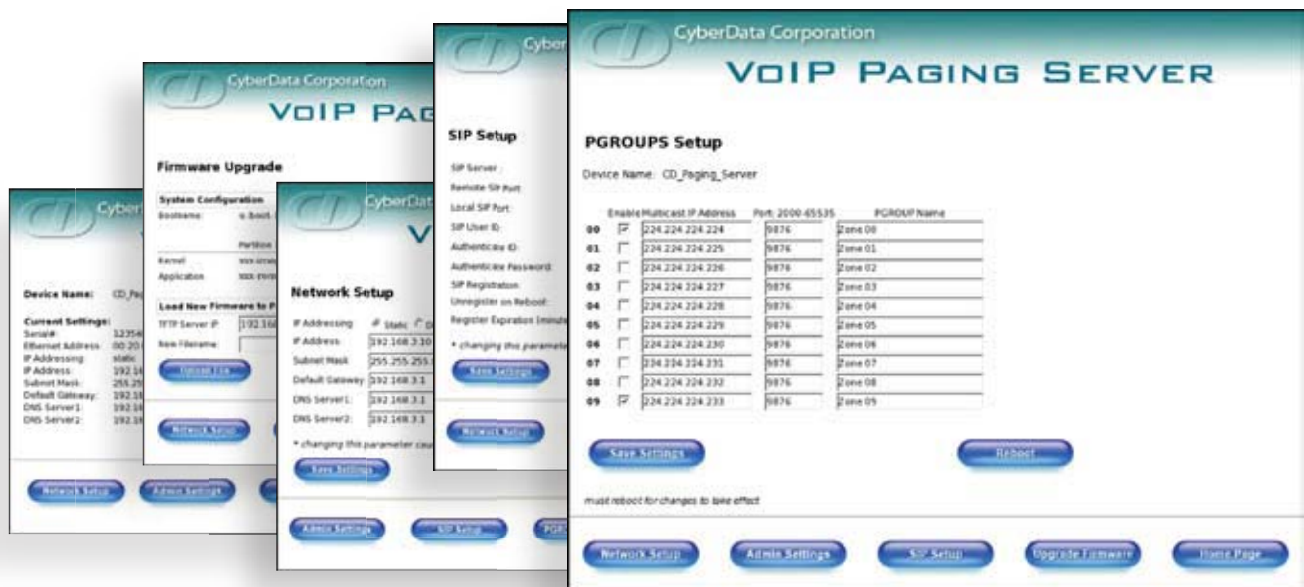
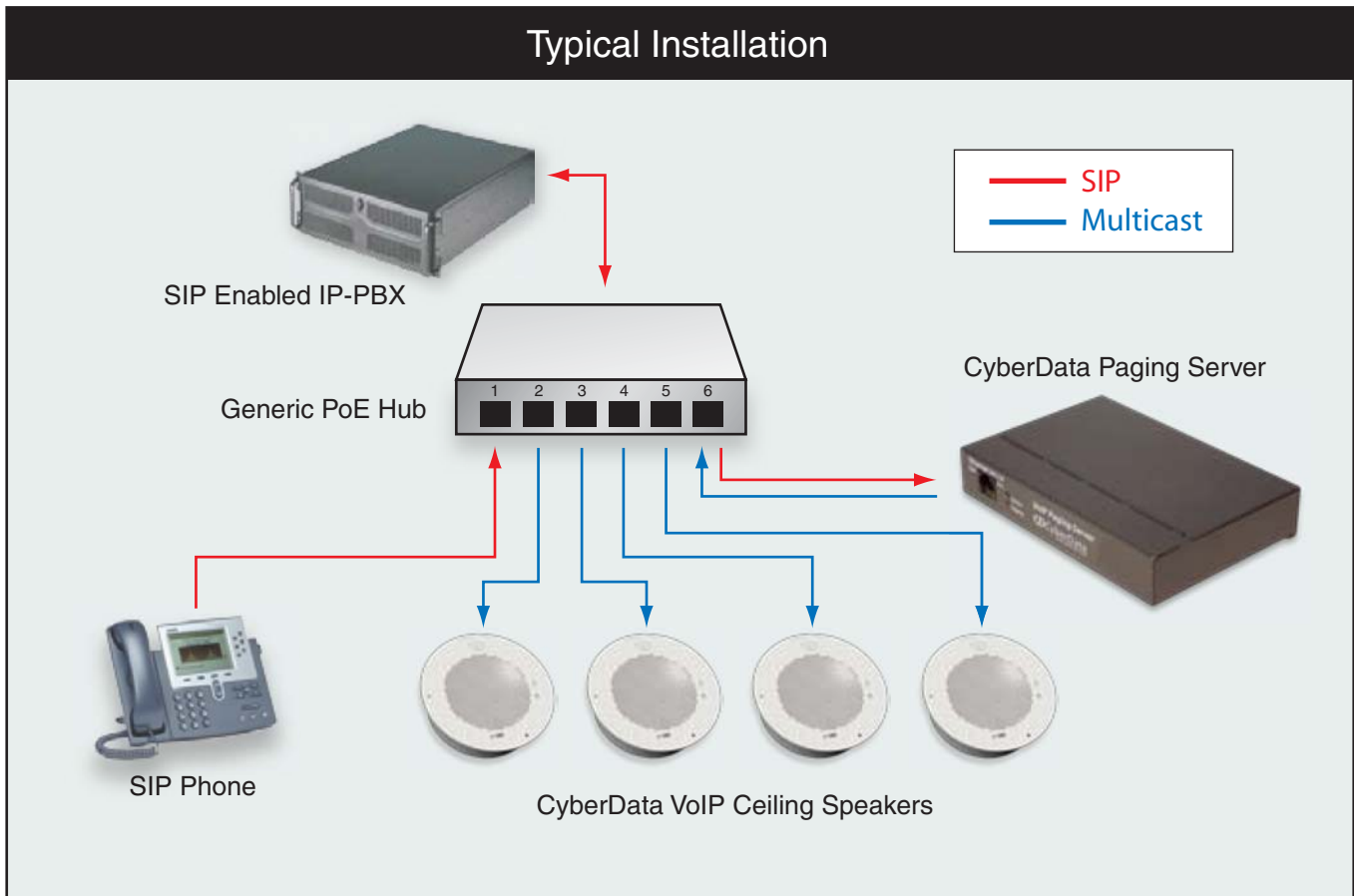
- SIP RFC 3261 compatible
- PoE 802.3af enabled (Power-over-Ethernet)
- Dual-speed Ethernet 10/100 Mbps
- Single SIP endpoint
- DTMF control of zone selection
- Multicast output
- Web-based configuration
- Web-based upgradeable firmware
- Connector for external power supply
- Small footprint
- IGMP



VoIP Paging Server Specifications	
Protocol	SIP RFC 3261 Compatible
Ethernet I/F	10/100 Mbps
Power Input	PoE 802.3af or 48VDC
Operating Temperature	-30 to 55 C (-22 to 131 F)
Payload Types	G711
Regulatory Compliance	FCC Class A, UL 60950, CE
Dimensions	6.11"L x 4.05"W x 1.15"H
Warranty	2 years limited
Part Number	010878



# VoIP Paging Server





# VoIP Paging Server

